

# IMPRESS

SENSORS & SYSTEMS

Unit 6 Mercury House, Calleva Park

Aldermaston, Berkshire, RG7 8PN

Tel: +44 (0)118 981 7980

Fax: +44 (0)118 981 7990

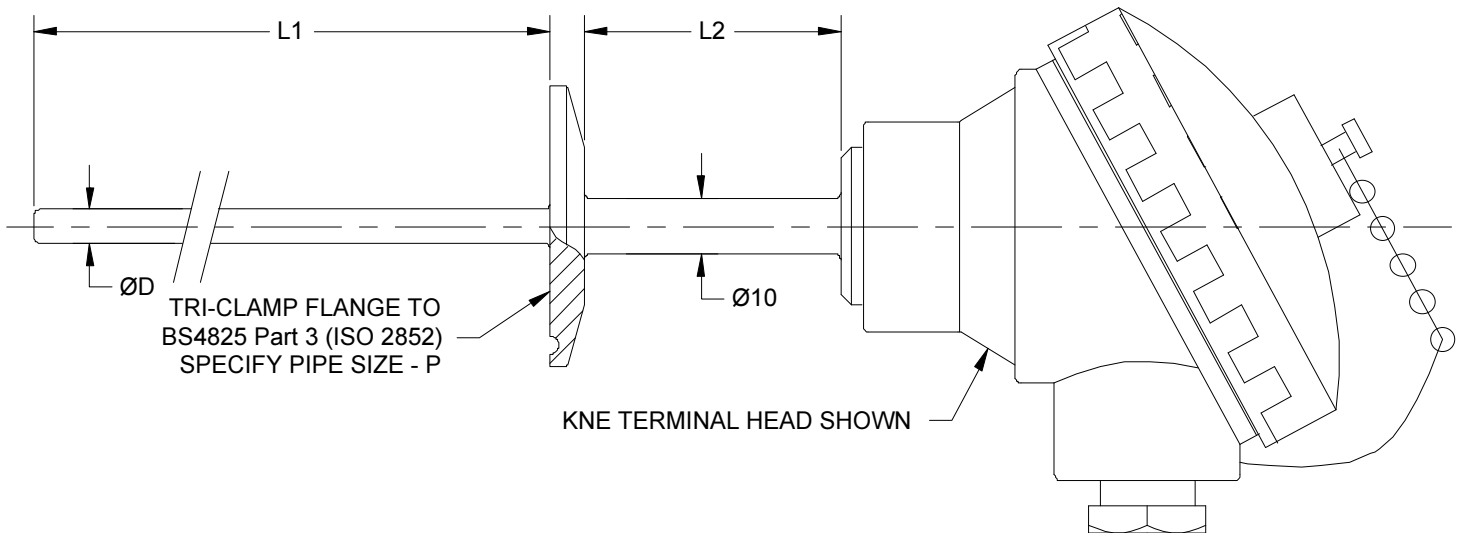
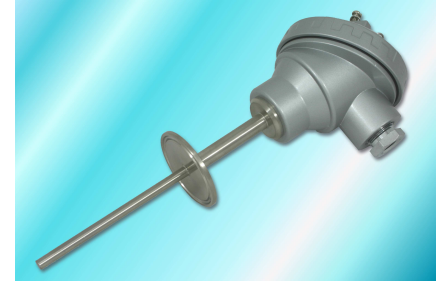
e-mail: [sales@impress-sensors.co.uk](mailto:sales@impress-sensors.co.uk)

Website: [www.impress-sensors.co.uk](http://www.impress-sensors.co.uk)

Pressure - Temperature - Level - Distance - Control - Indication - Data logging

## PPL6-P Pt100 Sensor with Hygienic Process Connection

Using your choice of industry standard hygienic connection, our PPL6 sensor is suitable for use in many hygienic processes including dairy, brewery and pharmaceutical applications. We can manufacture the sensor stem in various diameters and lengths to meet your exact requirements and with various options available for the terminal head, including IP68 stainless steel versions, we are sure to satisfy all of your demands. All welds are carefully performed to ensure they are continuous and crevice free.



Specifications	
Sensor Type	Platinum Resistance Thermometer—Pt100 or Pt1000
Operating Range	-50 to 250°C (Unless Otherwise Requested)
Sheath Material	316 stainless steel
Tolerance Band	Class B, Class A, 1/3 DIN, 1/5 DIN or 1/10 DIN
Wiring System	2, 3 or 4 wire, Simplex or Duplex
Head Types	A - KNE Aluminium Alloy, IP68 B - KSE Aluminium Alloy, IP68 C - ABS, IP67 D - Glass Filled Nylon, IP65 E - 316 stainless steel, IP68 (Other heads available upon request)
Head Options	A - Ceramic Terminal Block B - In Head Transmitter—SEM203P (Specify Range) C - Tails for Customers Own Transmitter

Visit the website: [www.impress-sensors.co.uk](http://www.impress-sensors.co.uk)

Company Reg. No.: 4346738, VAT No.: 786 6596 54, Reg Address: Impress Sensors & Systems Ltd, Unit 6 Mercury House, Calleva Park, Aldermaston, Berkshire, RG7 8PN

