



Sense
Measure
Control

ASMC Series Miniature Pressure / Temperature Transducer

- **Miniature size**
- **10 to 200 bar range**
- **Built-in temperature sensor**
- **High accuracy**
- **IP67 Sealed**
- **Rugged construction**
- **Amplified output**
- **5V or 8-16V supply**

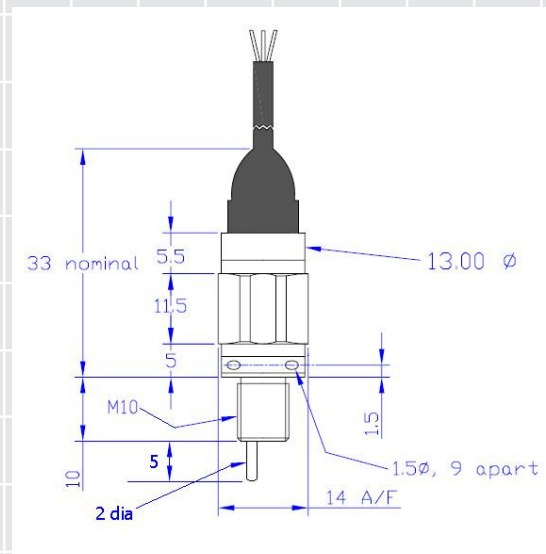


The ASM Series of miniature pressure transducers are designed for use in motor sports and other tough applications found in the automotive industry.

Typical applications include: fuel, oil, air, coolant, brakes, water. A built-in temperature sensor allows both pressure and temperature measurement within one compact transducer.

KA Sensors Ltd have over 15 years of experience with transducer applications in motor sport, we are therefore able to fully understand the complex requirements of racing and are available to assist with any application.

Range	0-10, 15, 20, 35, 100, 200 bar Sealed gauge or absolute
Overrange	1.5X Range
Burst Pressure	>3X Range
Supply	5V or 8-16Vdc
Output	0.5 to 4.5V (Others available)
Operating temp	-20 to +150°C
Compensated temp	0 to +150°C
Construction	Stainless steel
Cable	500mm 26AWG 55spec + DR25 sleeve
Seal	Viton/steel self centered seal
EMC Protection	EN 50082-1
Accuracy	±0.50% FS (comb lin/hyst)
TC Zero	±0.01% FS / °C
TC Span	±0.01% of reading / °C
Temperature sensor	NTC thermistor, PT1000
Options	Cable length Connector fitted



PO Box 8826, Grantham, NG31 0AR, UK
T: +44 (0)1476 568057 F: +44 (0)1476 561495
E: sales@kasensors.co.uk

www.kasensors.co.uk