

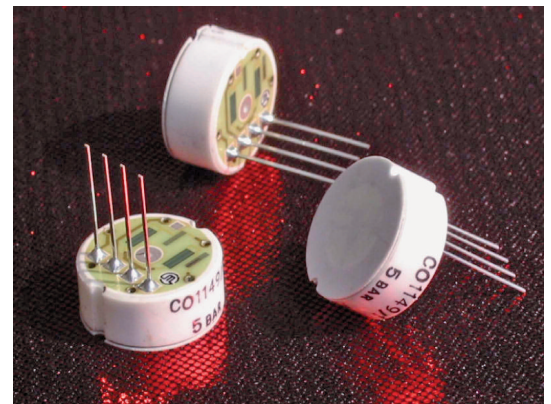
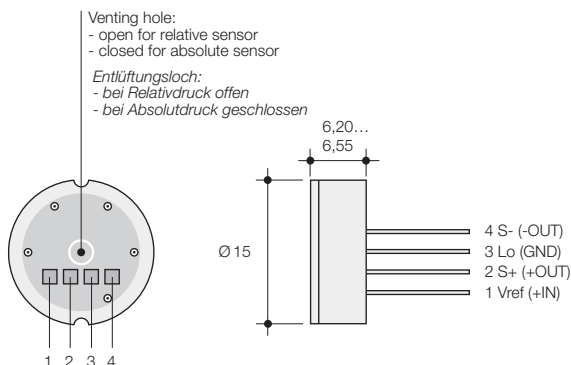
Piezoresistive pressure sensor

The ME506 is a piezoresistive ceramic pressure sensors. The measuring bridge is directly printed on one side of a ceramic diaphragm by means of thick film technology. The rear side of the flat diaphragm can be exposed directly to the medium without any additional protection due to the excellent chemical resistivity of the ceramic. The ME506 is available for absolute and gauge pressure measurement.

Technical data Technische Daten

Pressure ranges Druckbereiche	ME506				
	1	2	5	10	20
Range / Bereich [bar] gauge/abs./sealed gauge relativ					
Overload / Überlast [bar]	2	4	10	20	40
Burst pressure / Berstdruck [bar]	4	5	12	25	50
Thickness / Dicke [mm] ±0.1	6.20	6.25	6.30	6.35	6.55
Typical sensitivity / Empfindlichkeit [mV/V]	≥ 1.8	≥ 1.9	≥ 2.2	≥ 3.2	≥ 2.2
Supply voltage	Speisung		2 ... 30	VDC stabilized / stabilisiert	
Bridge resistance	Brückenwiderstand		11 ± 20%	kΩ	
Offset	Nullpunkt		± 0.2	mV/V	
Linearity, hysteresis and repeatability	Linearität, Hysterese & Repetierbarkeit		≤ ± 0.5	%FS terminal based / Grenzpunkteinstellung	
Stability	Stabilität		≤ ± 0.3	%FS/y @ 25°C	
Range of operating temperature	Betriebstemperaturbereich		- 40 ... +135	°C	
Thermal span shift	Therm. Empfindlichkeitsänderung		≤ - 0.010 ≤ - 0.012 ≤ - 0.014	%FS/K typ. 0 ... 70°C %FS/K typ. - 25 ... 0 / 70 ... 85°C %FS/K typ. - 40 ... - 25 / 85 ... 135°C	
Thermal zero shift (TCO)	Therm. Nullpunktverschiebung		≤ ± 0.04	%FS/K	
Material:			Ceramic / Keramik Al ₂ O ₃ (96%)		
Dimensions	Abmessungen		Ø 15.0 x 6.20 ... 6.55 mm		
Electrical connection	El. Anschluss		Pins (other on request / andere auf Anfrage)		

Other pressure and temperature ranges on request.
Andere Druck- und Temperaturbereiche auf Anfrage.



We reserve the right to modify the specifications without prior notification
Technische Änderungen vorbehalten.

Ordering Code / Bestellcode ME506

ME506 - - - - -

Option 0: Druckart / kind of pressure

Absolutdruck / absolute pressure A
 Relativdruck / gauge pressure R
 sealed gauge S

Option 1: Druckbereich / pressure range

0 ... 1 bar (A/R/S) 001
 0 ... 2 bar (A/R/S) 002
 0 ... 5 bar (A/R/S) 005
 0 ... 10 bar (A/R/S) 010
 0 ... 20 bar (A/R/S) 020
 andere auf Anfrage / other on request (*) 999

Option 2: TK-0 Abgleich/TC-Zero adjustment

TK-0 < ± 0.06 %FS/K 0
 TK-0 < ± 0.04 %FS/K 1
 TK-0 < ± 0.02 %FS/K 2
 andere auf Anfrage / others on request (*) 9

Option 3: elektrischer Anschluss / electrical connection

4 Pins 01
 4 vorverzinnte Löt pads / 4 pretinned soldering pads 02
 Flexprint NOMEX 50.8 mm - 4 polig / 4 pins 03
 Flachbandkabel 50.8 mm - 4 polig /
 ribbon cable 50.8 mm - 4 pins 04
 andere auf Anfrage / others on request (*) 99

Option 4: zusätzliche Beschichtung / additional coating

keine / without 01
 Parylene 02
 andere auf Anfrage / other on request (*) 99

(*) bitte spezifizieren / please specify