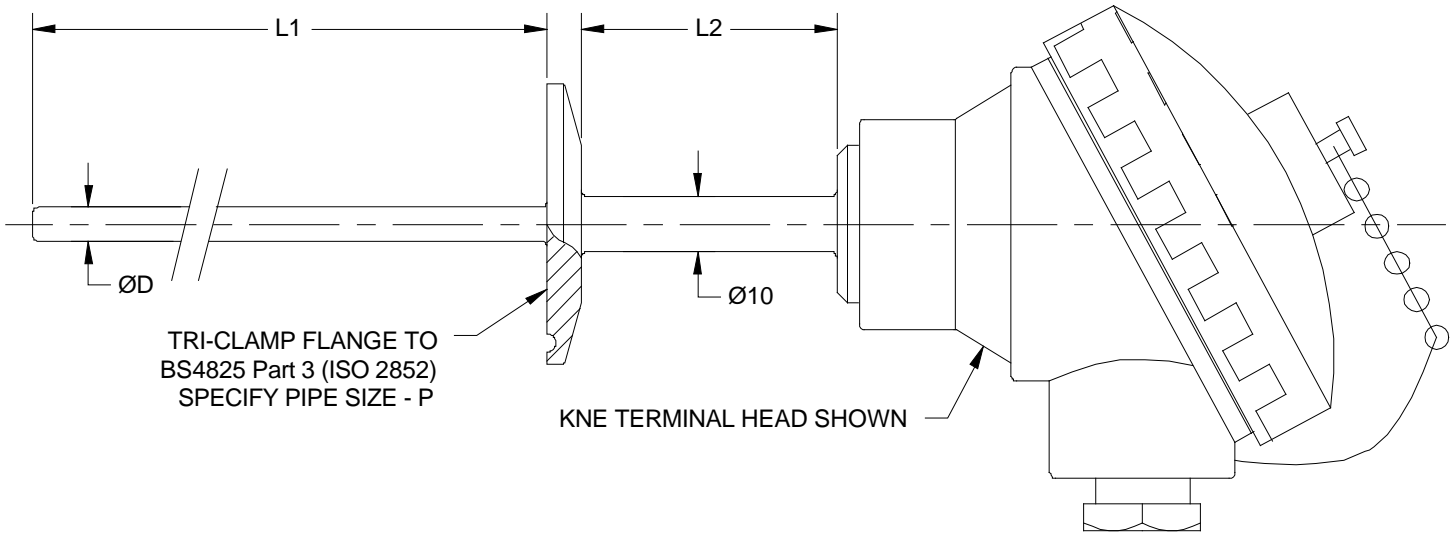


PPL6-P Pt100 Sensor with Tri-Clamp Process Connection

Using an industry standard Tri-clamp connection, our PPL6 sensor is suitable for use in many hygienic processes including dairy, brewery and pharmaceutical applications. We can manufacture the sensor stem in various diameters and lengths to meet your exact requirements and with various options available for the terminal head, including IP68 stainless steel versions, we are sure to satisfy all of your requirements. All welds are carefully performed to ensure they are continuous and crevice free.



Specifications	
Sensor Type	Platinum Resistance Thermometer—Pt100 or Pt1000
Operating Range	-50 to 250°C (Unless Otherwise Requested)
Sheath Material	316 stainless steel
Tolerance Band	Class B, Class A, 1/3 DIN, 1/5 DIN or 1/10 DIN
Wiring System	2, 3 or 4 wire, Simplex or Duplex
Head Types	A - KNE Aluminium Alloy, IP68 B - KSE Aluminium Alloy, IP68 C - ABS, IP67 D - Glass Filled Nylon, IP65 E - 316 stainless steel, IP68 (Other heads available upon request)
Head Options	A - Ceramic Terminal Block B - In Head Transmitter—SEM203P (Specify Range) C - Tails for Customers Own Transmitter

IMPRESS

SENSORS & SYSTEMS

Unit 6B, Mercury House, Calleva Park
 Aldermaston, Berkshire, RG7 8PN
 Tel: +44 (0)118 981 7980
 Fax: +44 (0)118 981 7990
 e-mail: info@impress-sensors.co.uk
 Website: www.impress-sensors.co.uk

Pressure - Temperature - Level - Flow - Analytical - Control - Indication - Data logging

PPL6-P Pt100 Sensor with Tri-Clamp Process Connection

PPL6-P

- - - - - - - - - - - XXX

| Sensor Type | |
|-------------|---|
| Pt100 | A |
| Pt1000 | B |

| Number of wires | |
|-----------------|---|
| 2 wire | 2 |
| 3 wire | 3 |
| 4 wire | 4 |

| No. of detectors | |
|------------------|---|
| Simplex | S |
| Duplex | D |

| Tolerance | |
|-----------|---|
| Class A | A |
| Class B | B |
| 1/3 DIN | C |
| 1/5 DIN* | D |
| 1/10 DIN* | E |

* Not available for Pt1000

| Sheath Dia - ØD | |
|-----------------|-----|
| 3.0mm* | 30 |
| 1/8** | 32 |
| 4.0mm | 40 |
| 4.5mm | 45 |
| 5.0mm | 50 |
| 6.0mm | 60 |
| 6.4mm | 64 |
| 8.0mm | 80 |
| 10.0mm | 100 |
| 12.0mm | 120 |
| 15.0mm | 150 |

*Not available with Duplex detector

| Specials Code | |
|-----------------------|--|
| Refer to Sales Office | |

| Head Options | |
|--------------|---|
| Block | 1 |
| Transmitter* | 2 |
| Tails | 3 |

*Not available with KS head

| Head Type | |
|-----------|---|
| KNE | A |
| KSE* | B |
| ABS | C |
| Nylon | D |
| St/Steel | E |

| Extension Length L2 | |
|---------------------|--|
| Enter length in mm | |

| Pipe Size P | |
|--------------|---|
| 1/2" or 3/4" | A |
| 1" or 1 1/2" | B |
| 2" | C |
| 2 1/2" | D |
| 3" | E |
| 4" | F |

| Sheath Length L1 | |
|--------------------|--|
| Enter length in mm | |

NOTE: Some option combinations not possible

This data sheet gives details of the most popular options available for this type of sensor but is not intended to give an exhaustive list of possibilities. If you have a special requirement, please contact our sales office for assistance.

Visit the website: www.impress-sensors.co.uk