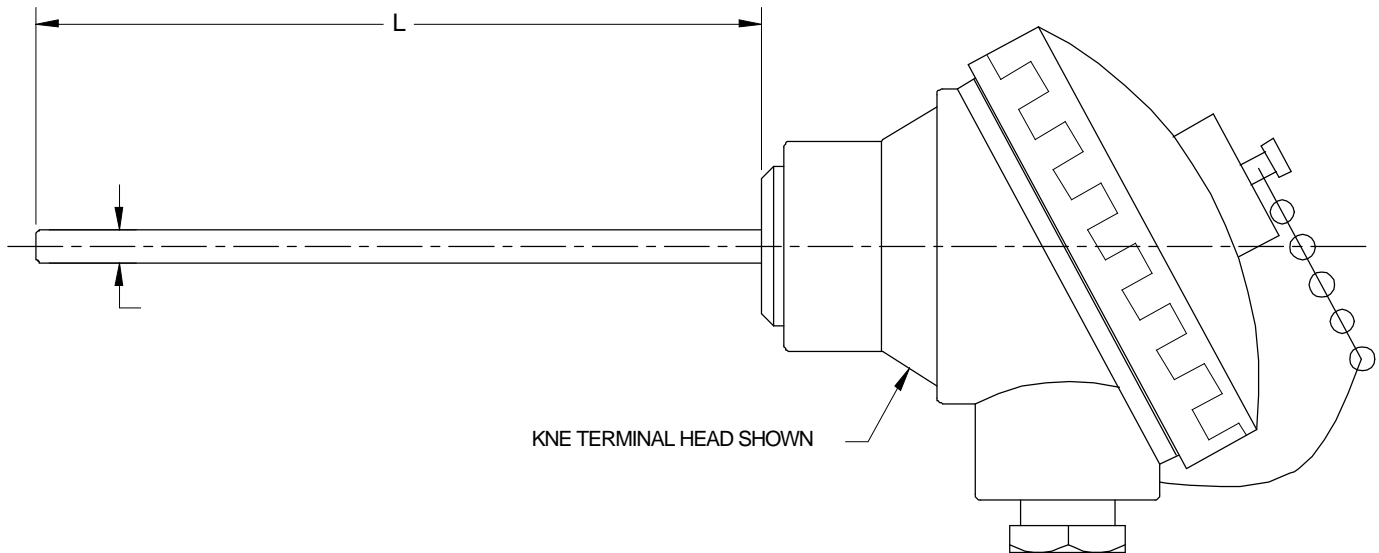


PPL3-T Thermocouple with Terminal Head

Our PPL3 sensor has a 316 stainless steel sheath of various diameters and lengths suitable for use in a wide variety of applications. We also have a choice of terminal heads available to be fitted to the sensor in which we can fit either a terminal block or transmitter. Various common options are shown on this data sheet but this is not an exhaustive list, please contact us with your requirements. Full details of the head types and accessories are available in the appropriate data sheet. UKAS or traceable calibration is available upon request.



Specifications	
Sensor Type	Type J, K or T thermocouple.
Operating Range	-50 to +250°C (Unless otherwise requested)
Sheath Material	316 stainless steel
Tolerance Band	BS EN 60584-2:1993 Class 1 or Class 2
Wiring System	Simplex or Duplex
Head Types	A - KNE Aluminium Alloy, IP68 B - KSE Aluminium Alloy, IP68 C - ABS, IP67 D - Glass Filled Nylon, IP65 E - 316 stainless steel, IP68 (Other heads available upon request)
Head Options	A - Ceramic Terminal Block B - In Head Transmitter—SEM203P (Specify Range) C - Tails for Customers Own Transmitter

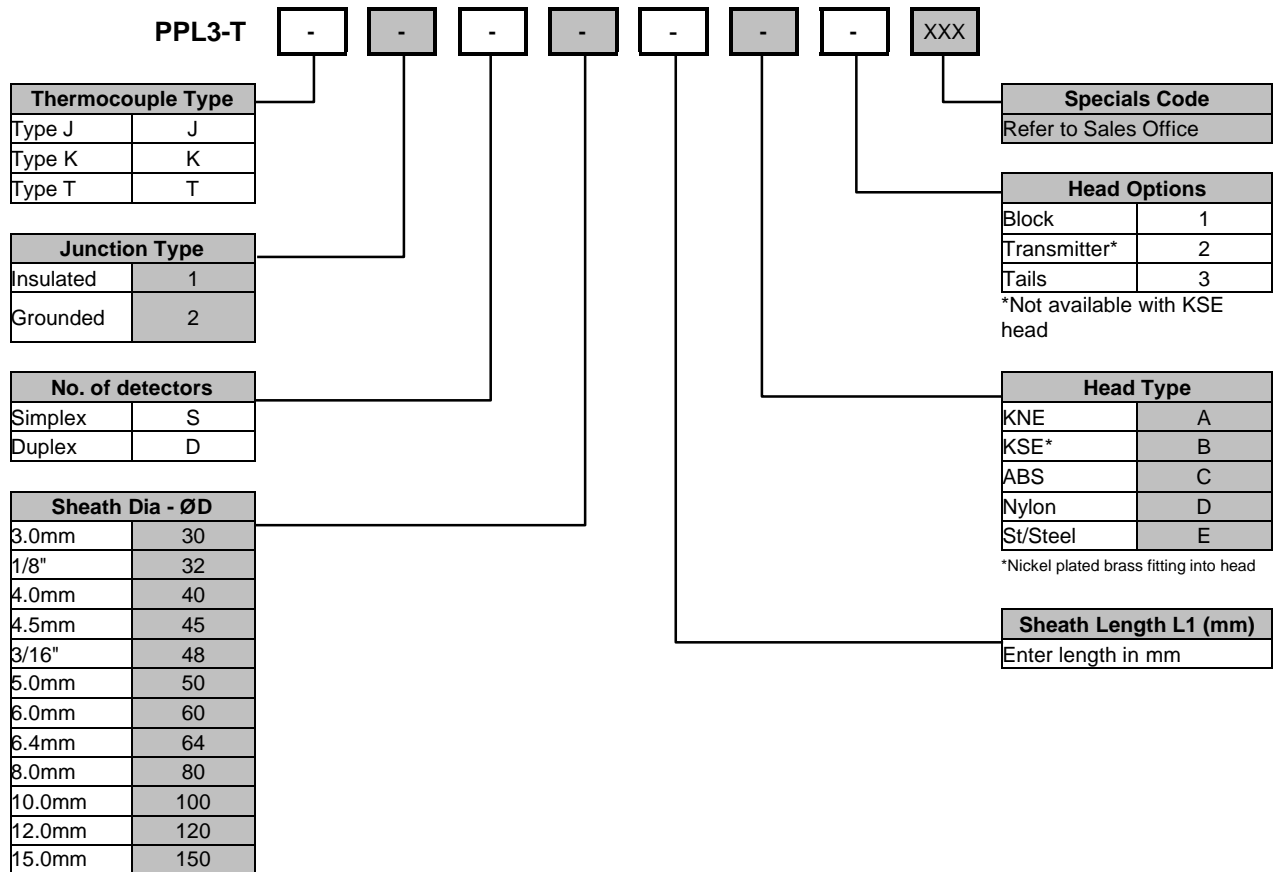
IMPRESS

SENSORS & SYSTEMS

Unit 6B, Mercury House, Calleva Park
 Aldermaston, Berkshire, RG7 8PN
 Tel: +44 (0)118 981 7980
 Fax: +44 (0)118 981 7990
 e-mail: info@impress-sensors.co.uk
 Website: www.impress-sensors.co.uk

Pressure - Temperature - Level - Flow - Analytical - Control - Indication - Data logging

PPL3-T Thermocouple with Terminal Head



NOTE: Some sheath diameter / lead type combinations require a pot seal. Some option combinations not possible

This data sheet gives details of the most popular options available for this type of sensor but is not intended to give an exhaustive list of possibilities. If you have a special requirement, please contact our sales office for assistance.

Visit the website: www.impress-sensors.co.uk